

RIGID - IMC

J-CLAMP for Rigid Conduit, IMC and EMT

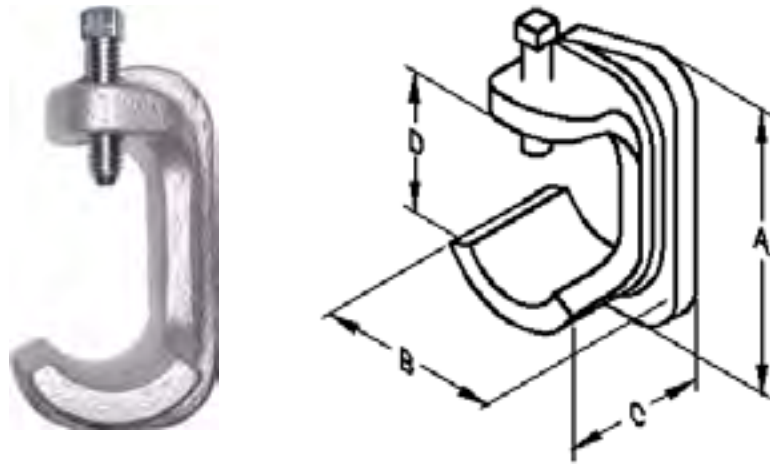
Features:

- Steel bolt - Case hardened
- RoHS compliant

Standard Materials:
Malleable iron

Standard Finish:
Zinc plated

Applicable Third Party Standards:
UL Standard: 2239



CATALOG NUMBER	TRADE SIZE	DIM A	DIM B	DIM C	DIM D	PCS/UNITS PER BOX	WEIGHT PER C
JC1	1/2"	2-15/16"	1-9/16"	1-5/16"	1-13/16"	25	41.3
JC2	3/4"	3-1/4"	1-7/8"	1-7/16"	1-15/16"	25	56.3
JC3	1" - 1-1/4"	4-1/8"	2-1/16"	1-13/16"	2-11/16"	10	118.8
JC4	1-1/2" - 2"	5-1/4"	3-9/16"	2-1/4"	3-1/2"	5	228.1
JC5	2-1/2" - 3"	6-11/16"	4-13/16"	2-13/16"	4-3/4"	2	375.0
JC6	3-1/2" - 4"	7-15/16"	5-13/16"	3-5/16"	5-13/16"	2	550.0

