

RIGID - IMC

Set Screw Rigid Couplings for Threadless Rigid Conduit and IMC

Features:

- Concrete tight when taped

Standard Materials:

Malleable iron

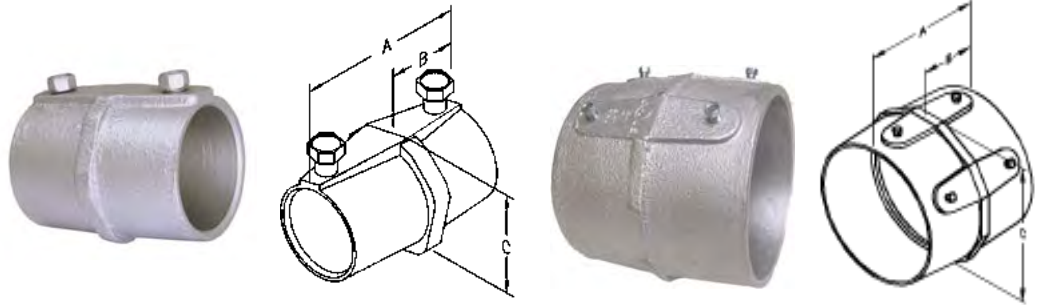
Standard Finish:

Zinc plated

Applicable Third Party Standards:

UL Standard: 514B
 Fed. Spec. W-F-408E
 NEMA: FB-1

* Furnished with four set screws



| CATALOG NUMBER | TRADE SIZE | DIM A | DIM B | DIM C | PCS/UNITS PER BOX | WEIGHT PER C |
|---|------------|----------|----------|---------|-------------------|--------------|
| RSK50 | 1/2" | 1-3/4" | 3/4" | 1-3/8" | 200 | 26.4 |
| RSK75 | 3/4" | 2" | 7/8" | 1-9/16" | 120 | 39.8 |
| RSK100 | 1" | 2-11/16" | 1-3/16" | 1-7/8" | 64 | 62.4 |
| RSK125 | 1-1/4" | 2-3/4" | 1-1/4" | 2-3/16" | 48 | 75.8 |
| RSK150 | 1-1/2" | 3-3/16" | 1-1/2" | 2-1/2" | 40 | 107.4 |
| RSK200 | 2" | 3-3/8" | 1-9/16" | 3" | 28 | 155.1 |
| EMT 2-1/2" to 4" fittings on page 2 are approved for use with EMT, IMC and Rigid conduit | | | | | | |
| ^ RSK500 | *5" | 6" | 2-13/16" | 6-1/2" | 1 | 1092.6 |
| ^ RSK600 | *6" | 6-1/2" | 3" | 7-1/2" | 1 | 1539.8 |

^ UL Listing not applicable to these



RIGID - IMC FITTINGS