

Twistlock Set Screw Connectors

Features:

- No locknut required when used with SCI Twistlock outlet boxes
- Locks in place with just 1/4 turn
- Twistlock connectors help to speed up the installation time and afford additional wiring room in junction boxes
- Pre-set & staked tri-head screws

Standard Materials:

Steel
Die Cast zinc
Steel Screw

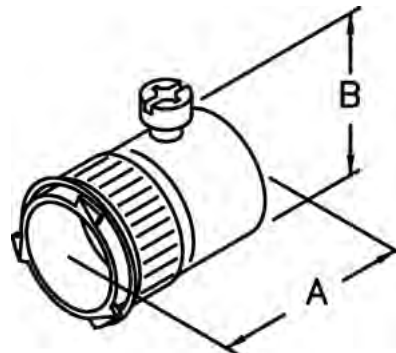
Standard Finish:

Zinc plated

Applicable Third Party Standards:

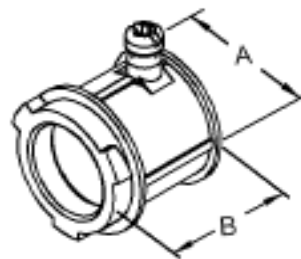
UL Standard: 514B
Fed. Spec. W-F-408E
NEMA: FB-1

PATENTED
U.S. Patent No.
6.476.319



Steel Twistlock Set Screw Connectors

CATALOG SIZE	TRADE SIZE	KO SIZE	DIM A	DIM B	WEIGHT PER C
TL-50	1/2"	1/2"	1-1/8"	1-1/16"	8.2
TL-75	3/4"	3/4"	1-3/8"	1-5/16"	11.3



Die Cast Zinc Twistlock Set Screw Conne-

CATALOG NUMBER	TRADE SIZE	KO SIZE	DIM A	DIM B	WEIGHT PER C
TL-50DC	1/2"	1/2"	1-1/16"	7/8"	6.3
TL-75DC	3/4"	3/4"	1-1/4"	1-1/8"	8.8



Twistlock box with a TL connector



Twistlock box with a regular EMT Set Screw connector